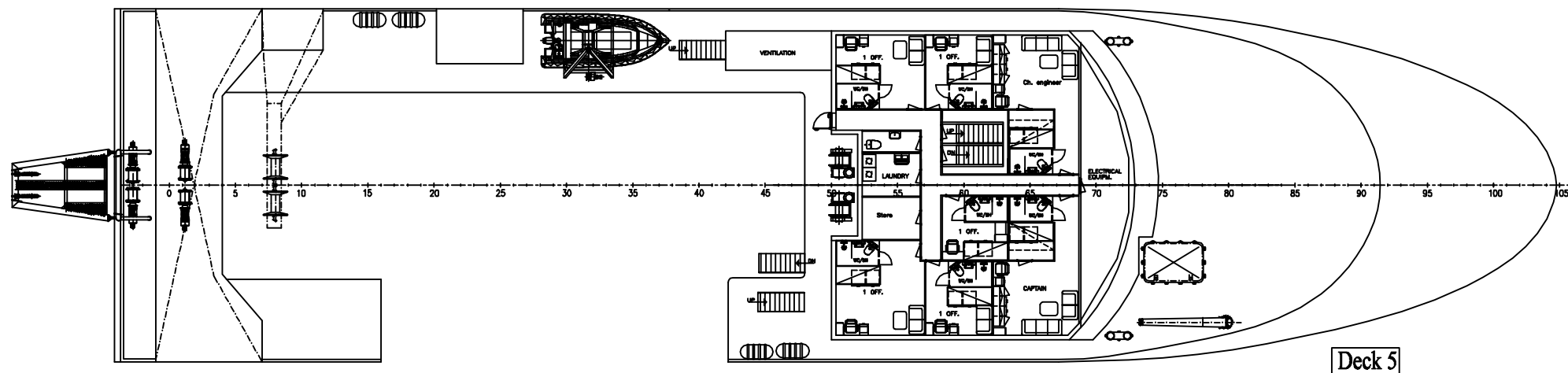
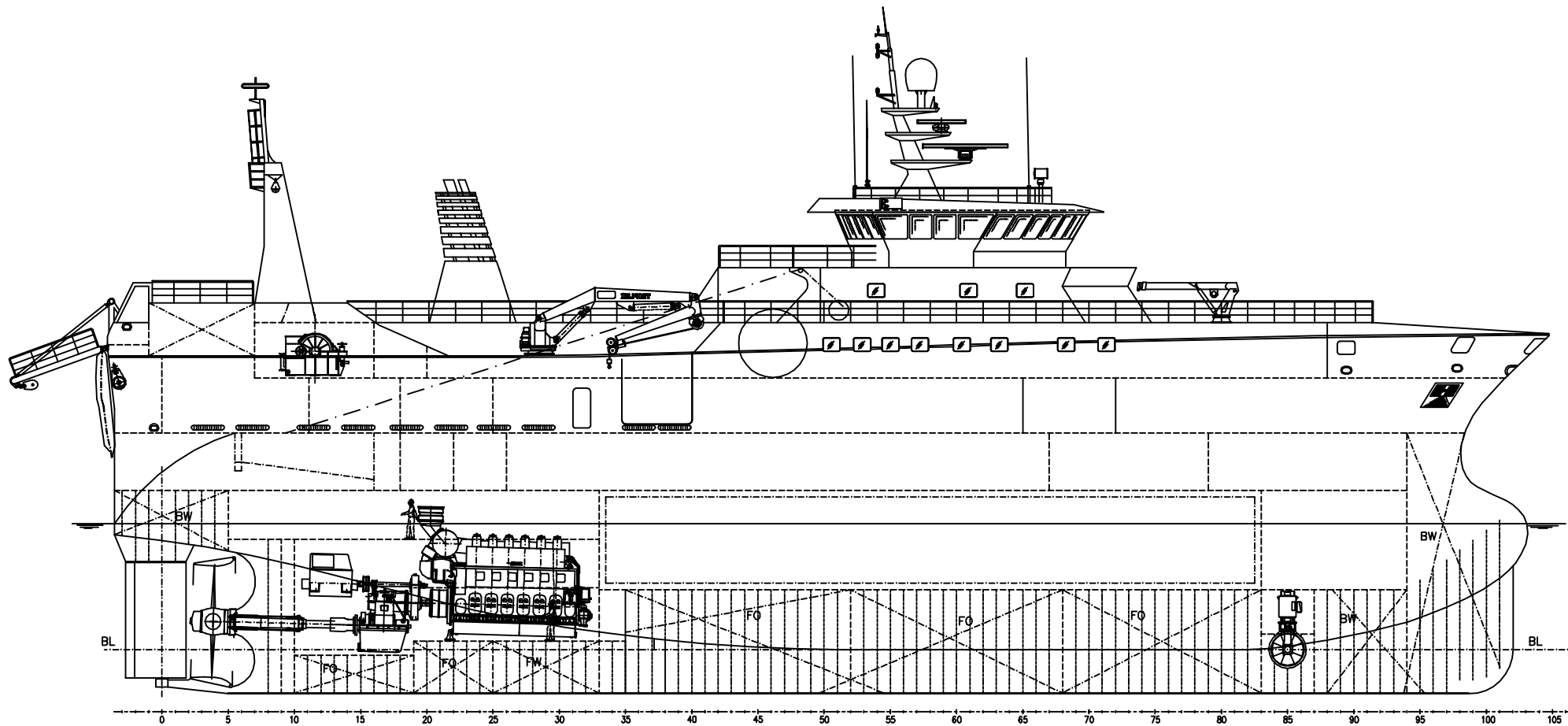


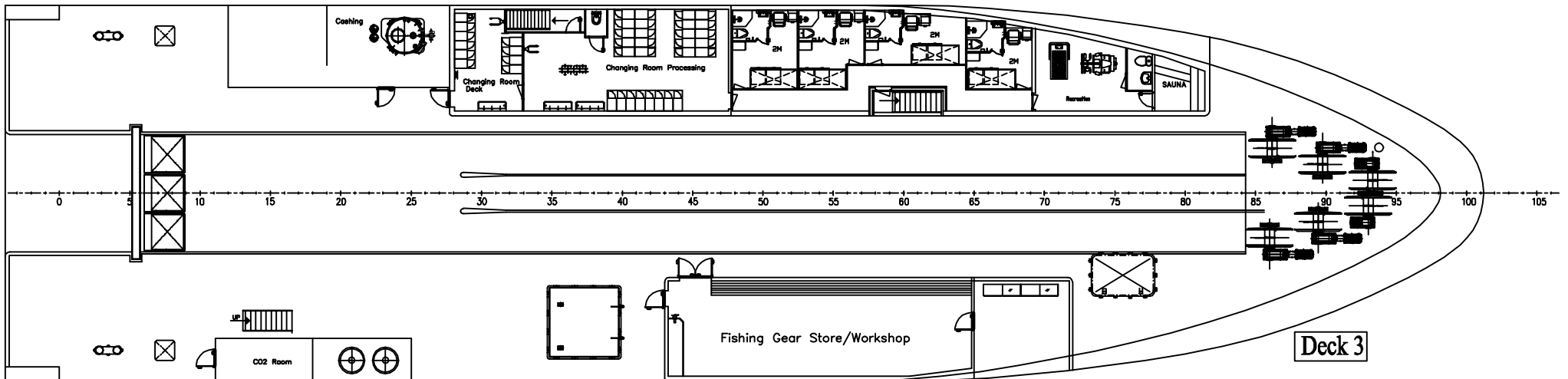
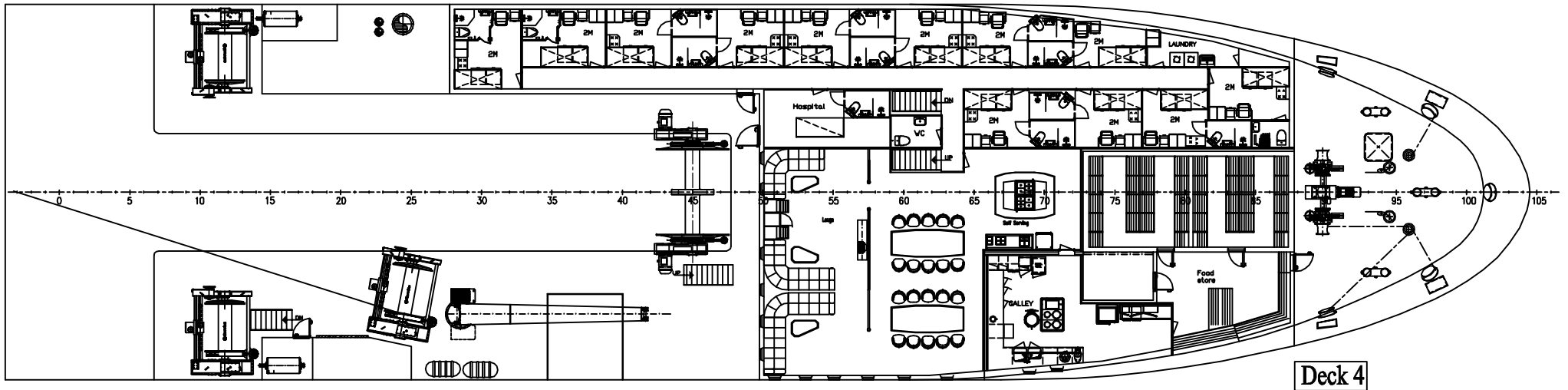
MAIN DIMENSIONS

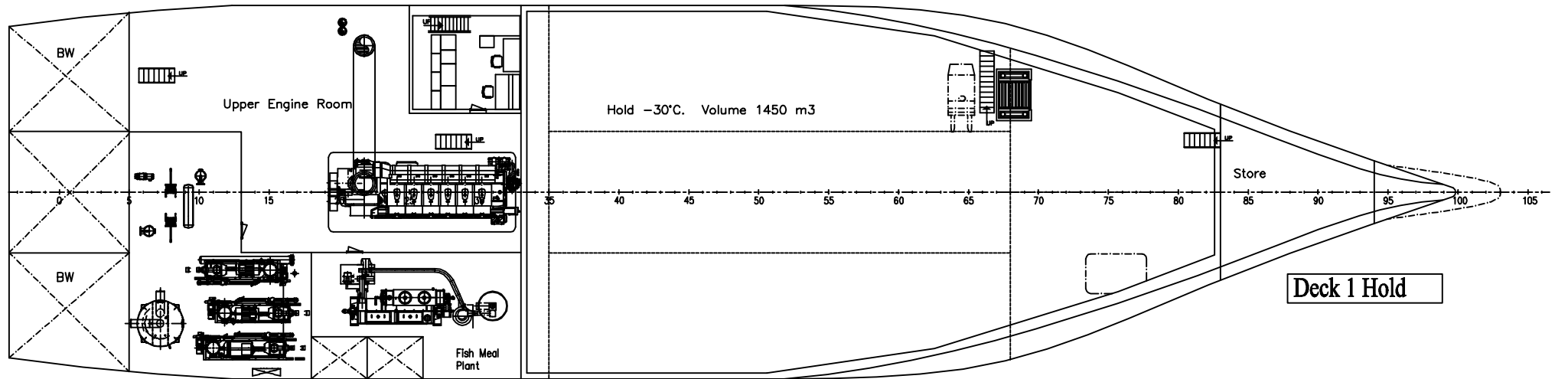
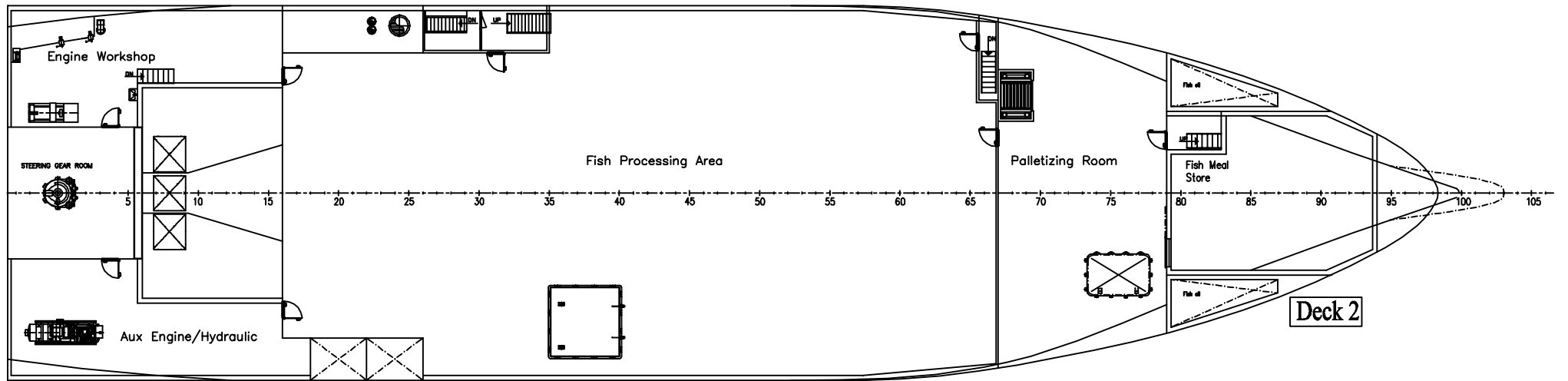
LENGTH o.a.	65,30 M
LENGTH p.p.	61,80 M
BEAM modified	16,00 M
DEPTH to deck 1	2,70 M
DEPTH to deck 2	7,20 M
DEPTH to deck 3	9,80 M
DEPTH to deck 4	12,30 M
Design Draft	7,70 M
FRAME spacing	0,60 M
CREW	40 PERSONS
FREEZING hold	1450 M ³
FISH MEAL plant/hold	150 M ³
FUEL oil tanks	700 M ³
FRESH water tanks	250 M ³

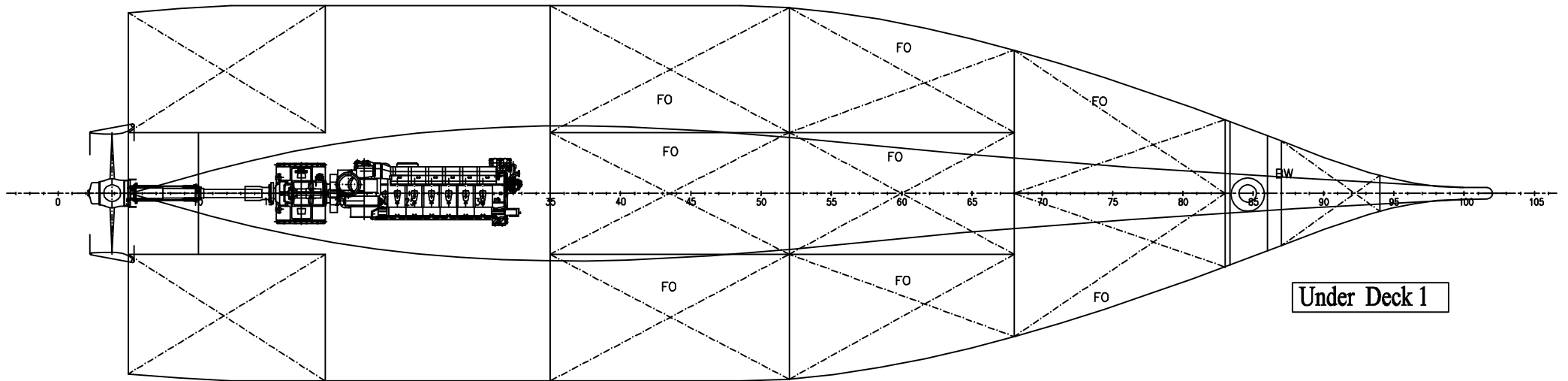
	65.3m FREEZER TRAWLER	03.02.11
	GENERAL ARRANGEMENT	SB
<small>Skipsyn AS, Skipsynveien 1, 1405 Skjervøy, Norway Phone: +47 91 44 8833 E-mail: sksyn@skipsyn.no</small>	<small>© Skipsyn AS All rights reserved</small>	A1 1:200
11-6516 010-01		



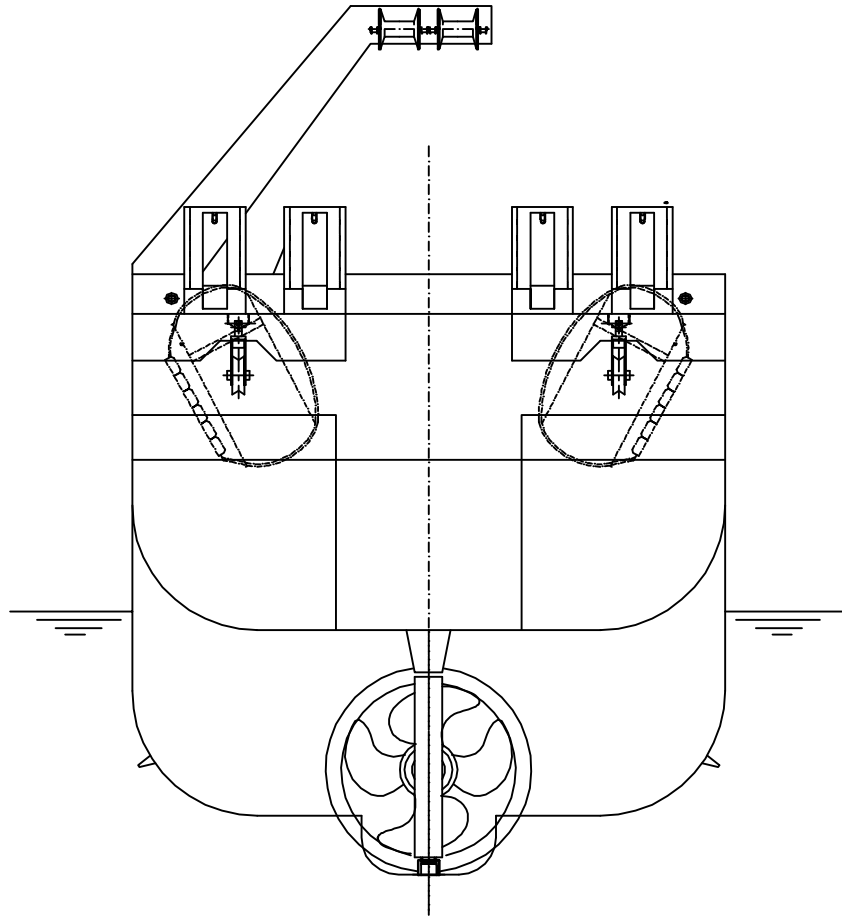
Deck 5



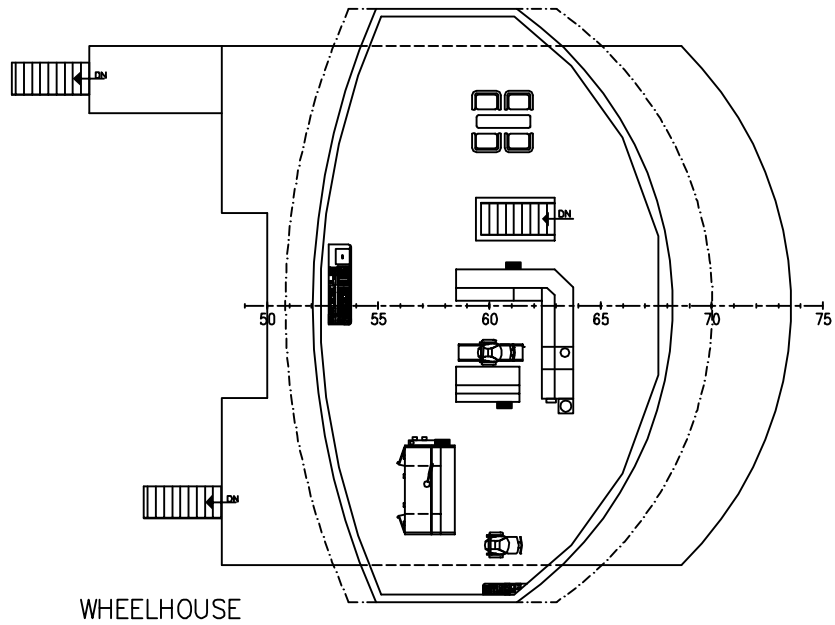




Under Deck 1



View on Transom



WHEELHOUSE

MAIN DIMENSIONS

LENGHT o.a.	65,30 M
LENGTH p.p.	61,80 M
BEAM moulded	16,00 M
DEPTH to deck 1	2,70 M
DEPTH to deck 2	7,20 M
DEPTH to deck 3	9,80 M
DEPTH to deck 4	12,30 M
Design Draft	7,70 M
FRAME spacing	0,60 M

CREW 40 PERSONS

FREEZING hold	1450 M ³
FISH MEAL plant/hold	150 M ³

FUEL oil tanks	700 M ³
FRESH water tanks	250 M ³