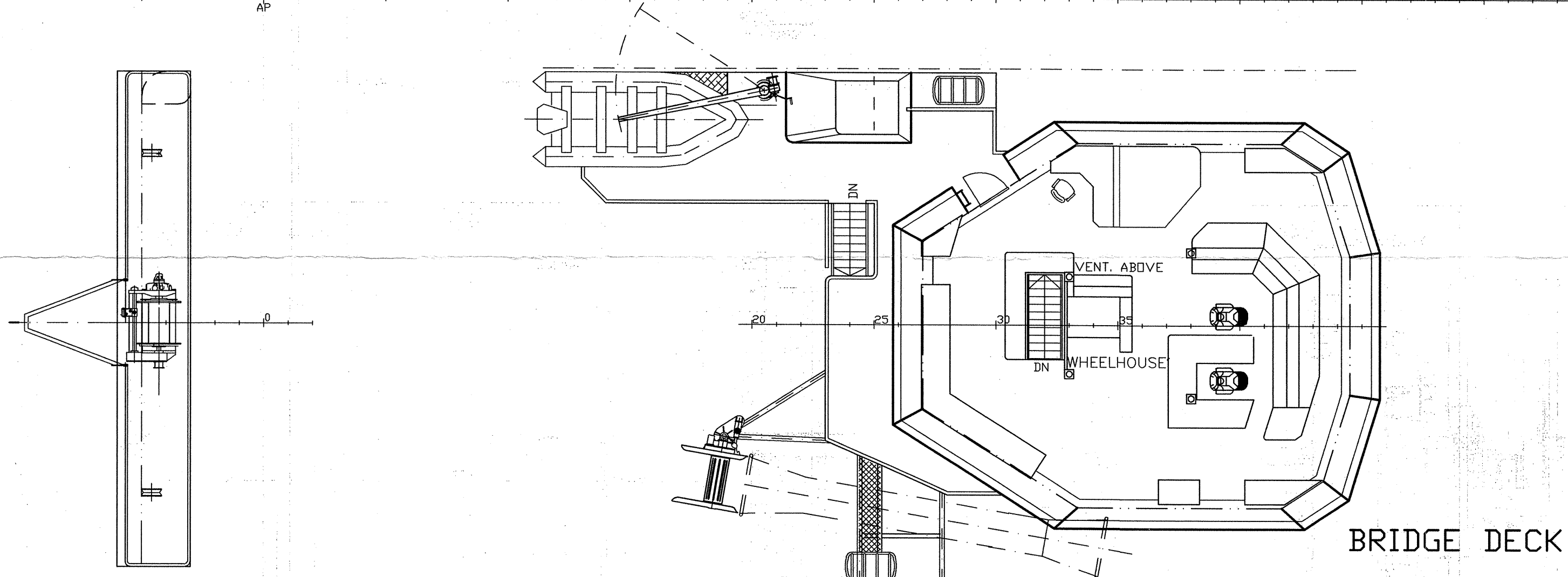
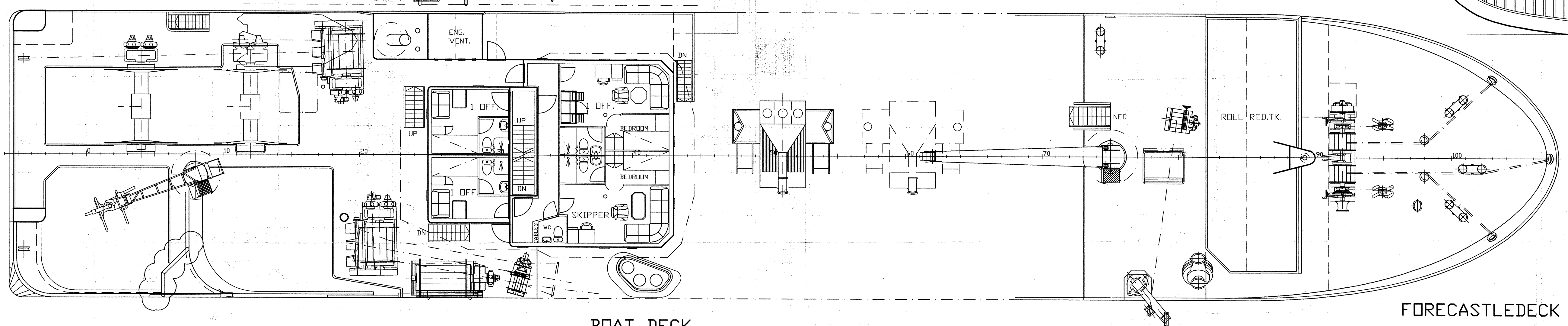


PROFIL

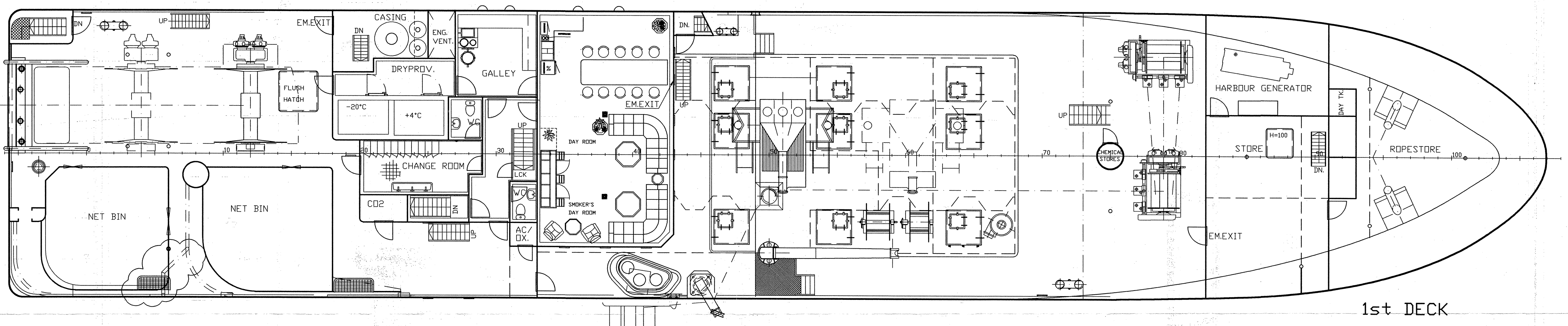


BRIDGE DECK

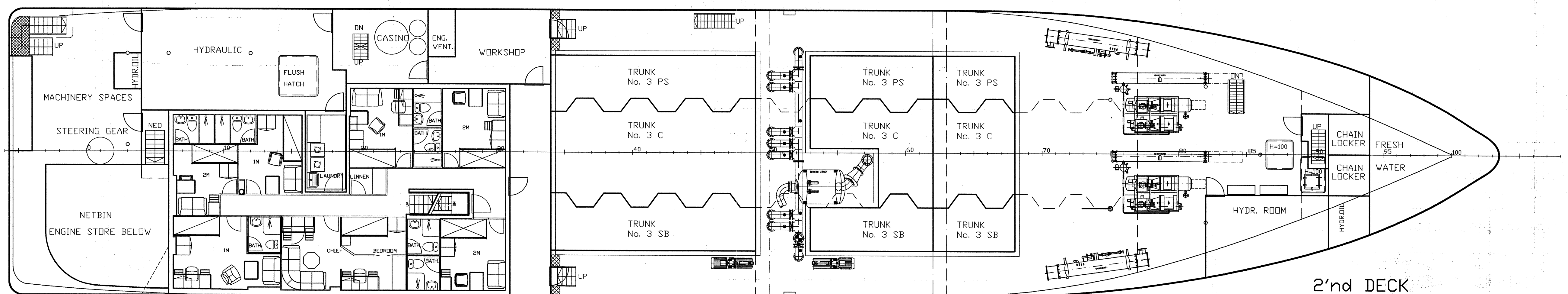


BOAT DECK

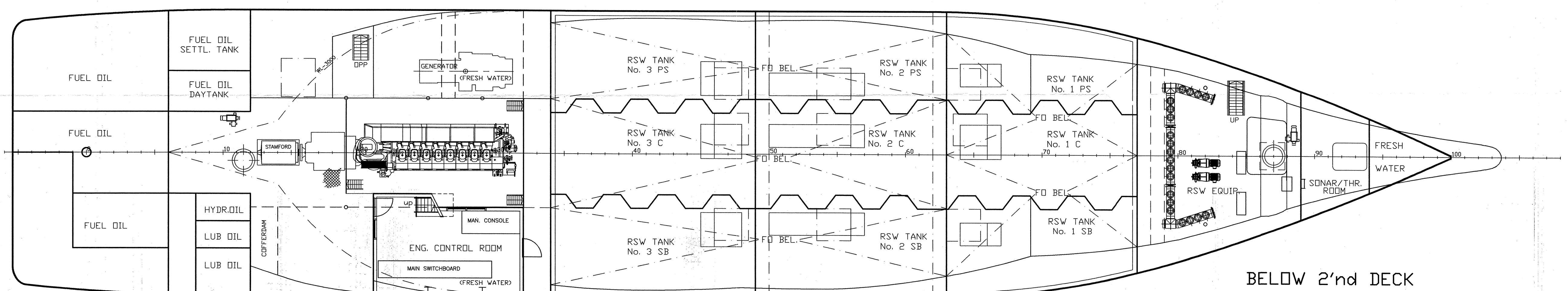
FORECASTLE DECK



1st DECK



2'nd DECK



BELOW 2'nd DECK

PRINCIPAL PARTICULARS :

LENGTH OVER ALL:	68.10 m
LENGTH BETW. PERP:	60.00 m
BREATH MLD:	12.60 m
DEPTH TO 1'st DECK:	8.40 m
DEPTH TO 2'nd DECK:	5.80 m
FRAME SPACING:	0.60 m

<p>Approved Client/Date: _____</p> <p>Approved Owner/Date: _____</p> <p>Approved Authority/Date: _____</p> <p>Contract No./Date: _____</p>	<p>PURSE SEINER / TRAWLER</p> <p>68.10m</p>	<p>KARMSIND MARITIME SERVICE AS</p> <p>YARD NO. 14</p>
<p>SCALE: 1:100</p> <p>DATE: 200197</p> <p>DESIGN: KS/LBH</p>	<p>GENERAL ARRANGEMENT</p>	<p>VAS DRAWING NO: 1839</p> <p>REV: 0</p>
<p>VIK & SANDVIK</p> <p>SKIPSTEEKNISKE KONSULENTER AS</p> <p>TELEFON 42467 BOAT N</p>	<p>101-BG151</p>	<p>1/1</p>

ALL RIGHTS RESERVED
 This drawing is the property of VIK & SANDVIK SKIPSTEEKNISKE KONSULENTER A/S and it must not be copied or imported to any unauthorized third party. The receipt of the drawing implies that the conditions mentioned herein are accepted.